

SRIRAM EDUCATIONAL TRUST
49, Anna Salai, (Devi Theatre Complex)
Chennai – 600 002
Phone No: 28511011 / 28511022

TENDER NOTICE

Invites sealed Tenders from qualified Contractors for execution of the following works in College Building at Vyasarpadi, Chennai- 39.

Name of Work : Manufacturing and supplying
classroom Furniture for
College Building

Tentative estimate cost : Rs. 45 Lakh

Duration for completion : 2 months

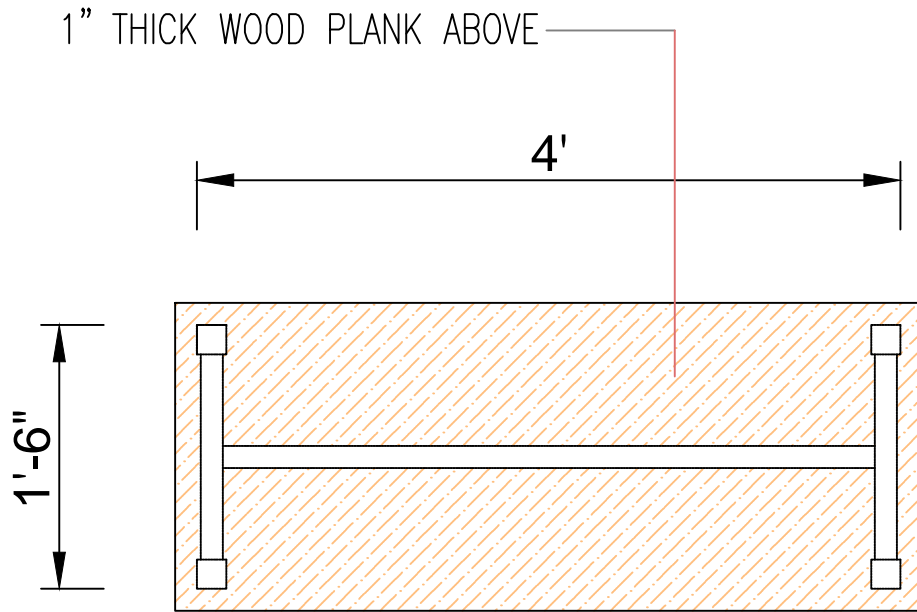
Last date for receipt of tender : 19.02.2024

For tender forms and conditions please log on to our web-site
www.sriramtrust.org or www.sriramcolleges.com or get the same from
[Trust Office.](#)

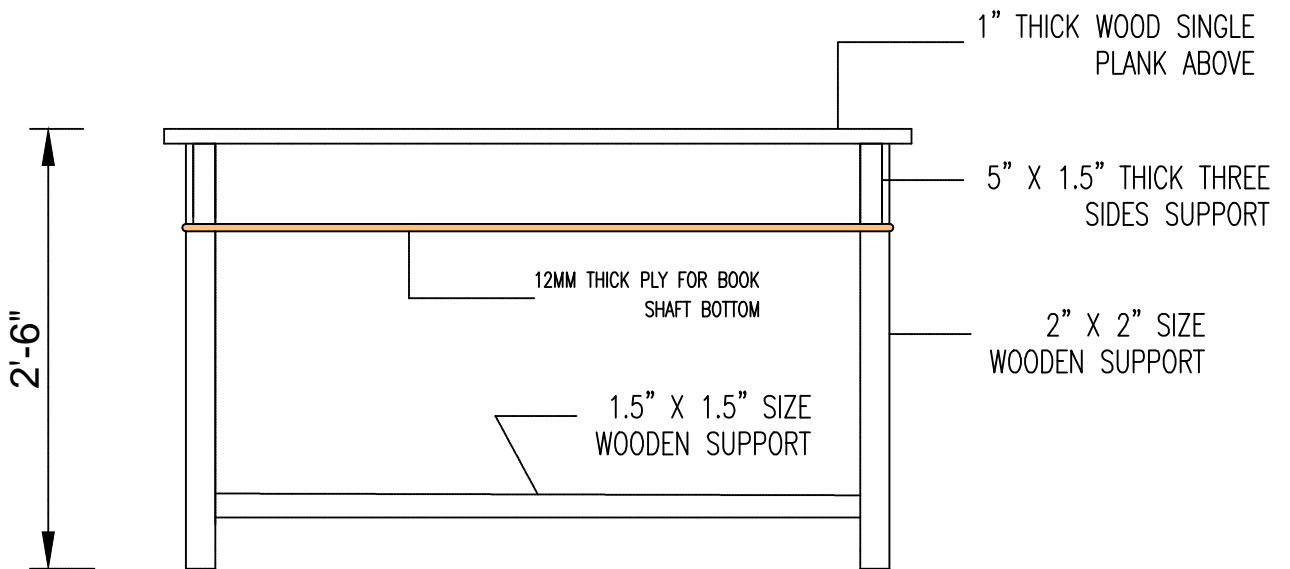
SECRETARY /SRET

Manufacturing and supplying classroom Furniture for College Building
Bill of quantity

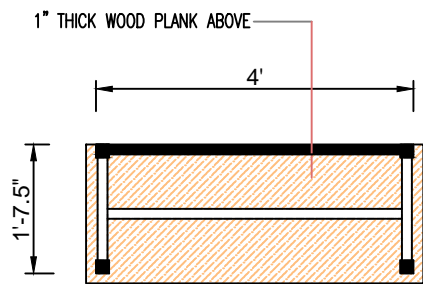
Sl.No.	Qty	Description	Rate	Amount
1	144 nos	<p>2 Seater Wooden Bench and Desk : 1200mm The Frame will be made by 2" x 2", 3" x2" and 2" x 1.5" with Second Quality Teak wood, top portion will be Mahagony wood Single plank of 1" thick with rubber bush at the bottom of the leg with paint finish using necessary nails, screws and fevicol etc. as per drawing.</p>		
2	144 nos	<p>3 Seater Wooden Bench and Desk : 1800mm The Frame will be made by 2" x 2", 3" x2" and 2" x 1.5" with Second Quality Teak wood, top portion will be Mahagony wood Single plank of 1" thick with rubber bush at the bottom of the leg with paint finish using necessary nails, screws and fevicol etc. as per drawing.</p>		



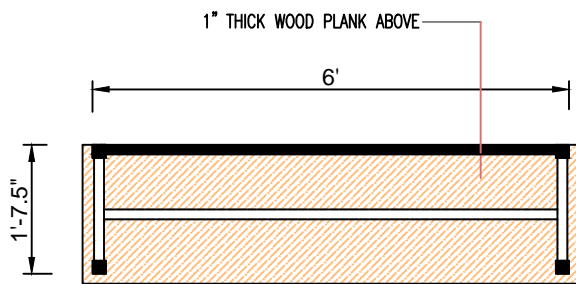
TWO SEATER STUDENT TABLE DETAILS



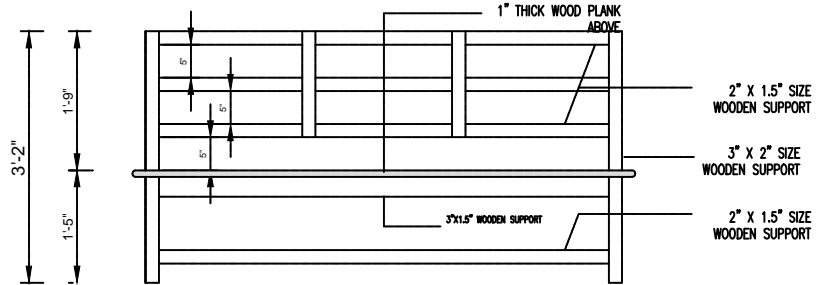
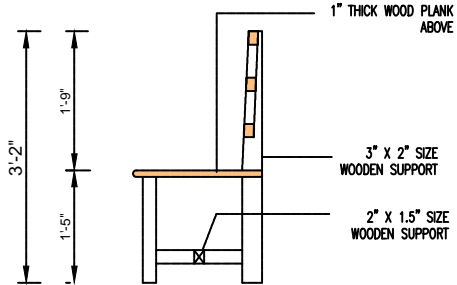
TWO SEATER TABLE ELEVATION



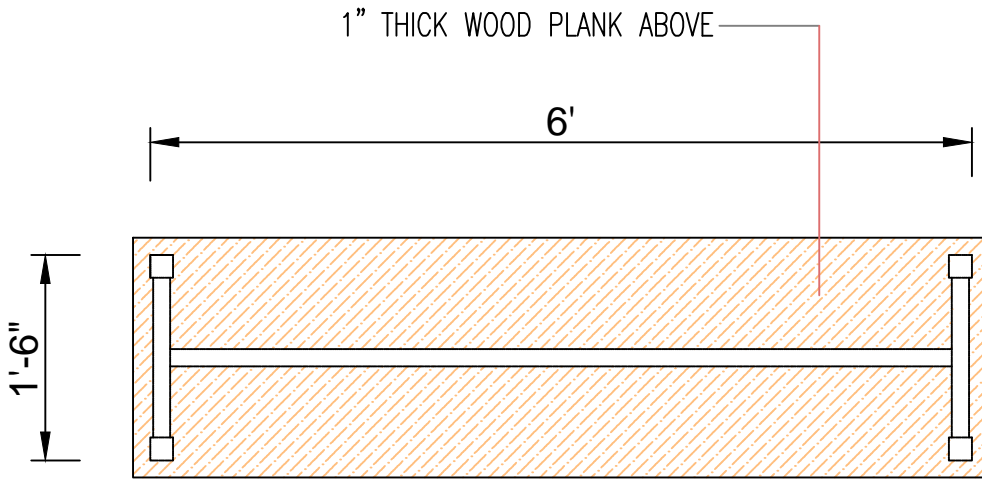
TWO SEATER STUDENT CHAIR DETAILS



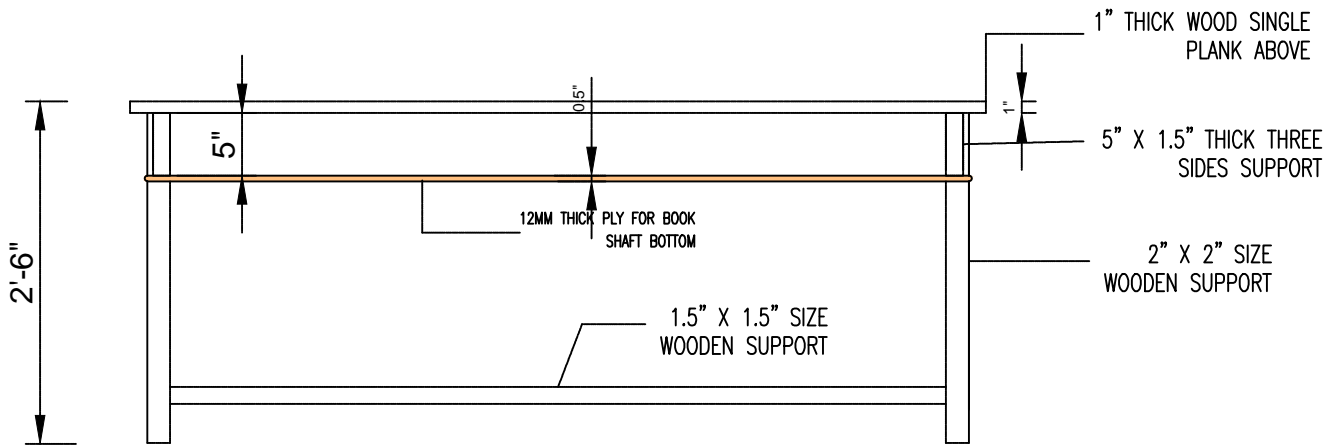
THREE SEATER STUDENT CHAIR DETAILS



STUDENT CHAIR DETAILS



THREE SEATER STUDENT TABLE DETAILS



THREE SEATER TABLE ELEVATION

Manufacturing and supplying class room furniture for College Building at Vyasarpadi.

Special Conditions:

- 1) The quantity in the schedule are tentative and may vary according to the site condition.
- 2) The quantity of the materials (Teak wood, Country wood planks should be get approved from the trust before supply of materials.
- 3) Advance Payment upto 50% of the cost of materials delivered at site (Teak wood and Country wood planks etc) in lots with approval by Trust invoice copy shall be produced by the Contractor for claiming the advance payment. Each of these payment will be adjusted in the subsequent RA bill.
- 4) Payment will be made as per the actual measurements.
- 5) RMD will be deducted at the rate of 5% from each bill and 50% will be released after completion of work with final bill and another 50% will be released after one year (Defect liability period) from the date of completion.
- 6) The Contractor shall ensure that all the applicable labour laws especially safety and insurance of the labours. Child labours should not be engaged.
- 7) Contractor is solely responsible for any lapses in adopting safety measures.
- 8) No escalation of rate will be allowed in future.
- 9) The period of completion of the work will be two months.
- 10) For all payment TDS will be deducted as per the orders in force at the prescribed rate.
- 11) If clarification can be from the Project Officer / SRET at any time. mobile no: 9840320137
- 12) The date and time of opening of the tender will be intimated later.